



Intelis™ wSource™

Smart ultrasonic water meter, accurate, durable and intelligent

Intelis wSource is the most accurate residential smart water meter available with AMR backup that protects revenue for the life of the meter. No moving parts to wear out and durable components extend meter life and lower operating costs.



A step into the future of metrology

Provides highly accurate reads.

Meter accuracy is the highest level on the market, even at low flow rates.

- » Protects utility revenue
- » Superior leak detection
- » Superior performances in adverse installation conditions (gasket, pipe elbow)
- » MID-certified for R1000 Class 2 and R500 Class 1



Built For The Long Run

Robust components withstand harsh conditions ensuring accurate billing for the long haul.

- » Reliable operation for 15 years
- » Battery protect features to secure battery lifetime
- » Exceptional performance in heat, humidity, and intermittent water supply
- » Compatible with indoor and outdoor installations



MANAGING WATER WITH ITRON'S WATER AMI ESSENTIALS

Smart metering for flexibility:

- Remote reading
- Precise billing
- Real-time alarms

Data collection for simplicity:

- Customer awareness
- Workforce management
- Network as a service

Advanced analytics for efficiency:

- Visibility to the health of distribution system
- Reduce real and apparent losses

For more information:

go to [Itron Water AMI Essentials](#) webpage.



Safeguarding your data

Supports AMR and AMI for uninterrupted data. With M-Bus AMR backup, utilities can collect billing data even when the AMI network is down.

- » Backs-up NB IoT with mobile read feature available at all times
- » Wireless data collection with walk-by or drive-by mode (2-way interrogation enabled)
- » Reduces labor costs – no manual reads



Keep customer service informed

Timely notifications and alarms keep your customer service team up-to-date

- » Improve customer satisfaction with freezing pipes and leak notifications
- » Reduce theft with tampering and zero consumption alerts
- » Remote monitoring



Secure by design

Designed to protect your utility assets and customer data with the highest level of security.

- » End to end security management system and credentials
- » Data encryption and protect features



Easy to deploy, easy to manage daily operations

Easier to deploy and manage your distribution system.

- » Interoperable and open standards (including LwM2M protocol) make it easy to integrate with IT systems
- » Remotely update firmware and manage meter operations
- » eSIM ready



The 4Ds promise, Deep Data Driving Decisions

Extensive data set drives informed decision making.

- » Measures water consumption every 2 seconds
- » Identifies leaks at consumer homes thanks to highly accurate water measurement capability at low flow rates
- » Provides customer profiles so you can recommend water conservation programs

INTEROPERABLE WITH OPEN-STANDARDS (with out-of-the-box connectivity options)



IoT Networks (Nb-IoT™)

Connect smart water meters to networks dedicated to the Internet of Things (IoT).



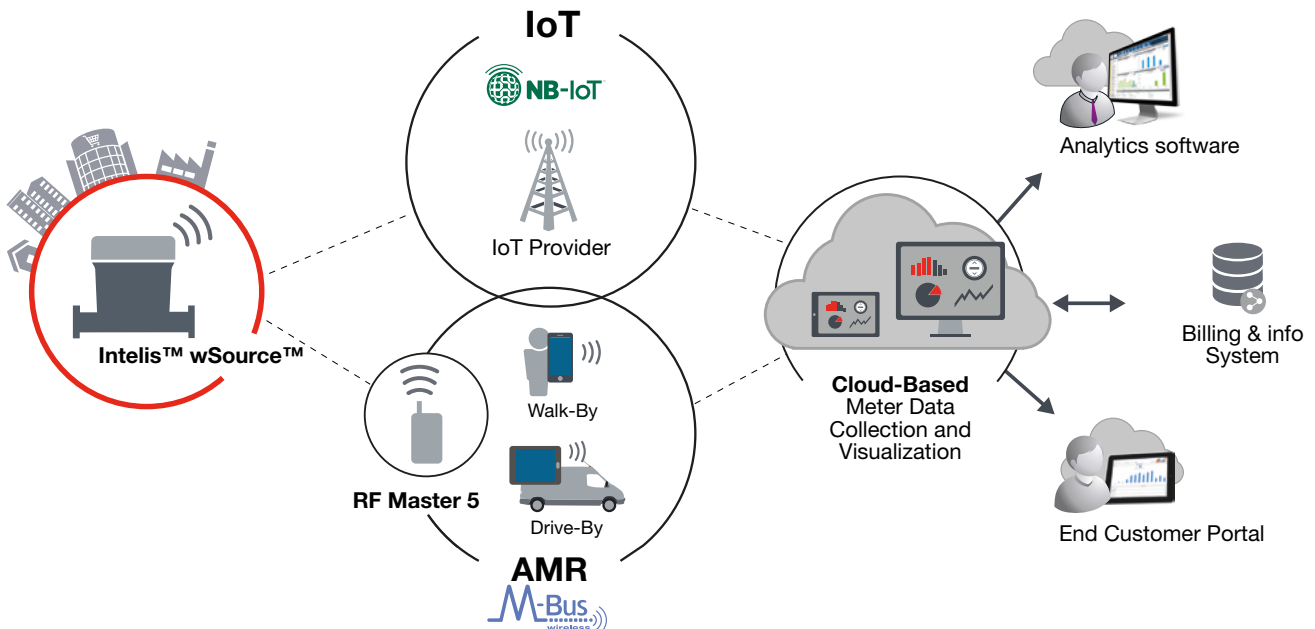
NFC local reading

Read data, advanced commands and configuration of the meter by smartphone application.



Automated Meter Reading (AMR)

Wirelessly collect data from meters either in walk-by or drive-by mode using Itron's RF Master 5. Eliminates the need for physical access to the meter.



EXTENDED DATA SET



Billing Index & Consumption Data Logging

Daily billing and custom billing functions along with precise consumption data logging up to 15min resolution



Flow Distribution

Precise monitoring of the distribution flow including periodic minimum and maximum values



Backflow / Reverse Flow

Detection and quantification of backflow to help assess water quality and/or sanitary risk



Alerts

Alarms are generated when important events are detected, such as:

- » Broken pipe
- » Leakage at customer side (continuous flow)
- » Tamper attempt (dismantling)
- » Blocked meter (zero consumption)
- » Oversize/undersize
- » Freeze risk



Diagnostics

Good system performance is ensured via monitoring of:

- » Battery level
- » Configuration settings

ENVIRONMENTAL-ECO DESIGN

A life cycle assessment study has been carried out to ensure the proper design of the new Intelis™ wSource™. It can be easily recycled at the end of the product life, as it can be dismantled into separate components (batteries, circuit board, brass) that each have their own recycling circuits.



Technical Specifications

Nominal Diameter DN	mm	20
	inches	3/4"
In compliance with MID - (2014/32/EU)		
MID Accuracy Ratio (Q3/Q1) all positions		160 to 1000 class 2 & 160 to 500 class 1
MID type Approval Number		LNE 37882
Nominal Flow Rate	(Q3) m ³ /h	2.5 4
Standard Production Ratio*	(Q3/Q1)	500 800
Minimum Flow Rate	(Q1) l/h	5 5
Transitional Flow Rate	(Q2) l/h	8 8
Overload Flow Rate	(Q4) m ³ /h	3.125 5
Pressure Loss Class at Q3	bar	0.25 0.63
Real Pressure Loss at Q3	bar	0.17 0.44
Maximum Admissible Pressure	MAP bar	0.1 / 16
Sensitivity Class		U0D0 (Seal restriction, Elbow, Ball Valve)
Water Operating Temperature	T °C	+0.1 / +50
Climatic Environment	°C	-25 / +70

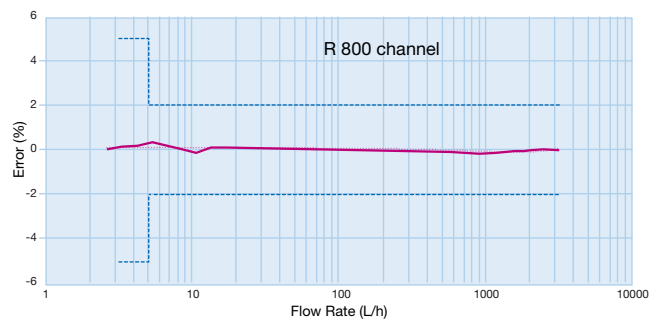
* Other Ratios available under specific request

Other Characteristics

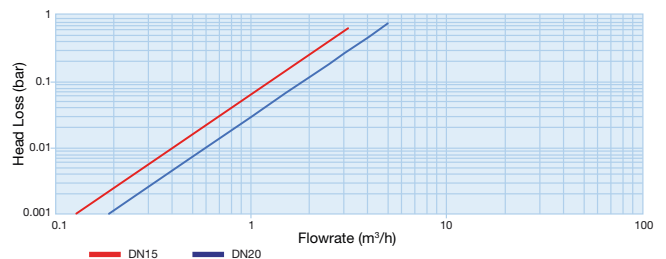
Indication Range*	m ³	999999.999
Minimum Scale Interval**	l	1
Typical Starting Flow Rate	l/h	2 2
Testing Pressure	bar	25
Maximum Accidental Water Temperature	°C	70 (<1h/week)
Electromagnetic class		E2

* Comma configurable under specific request - ** 0.001 liter in test mode

TYPICAL ACCURACY CURVE Q3=2,5 M³/H

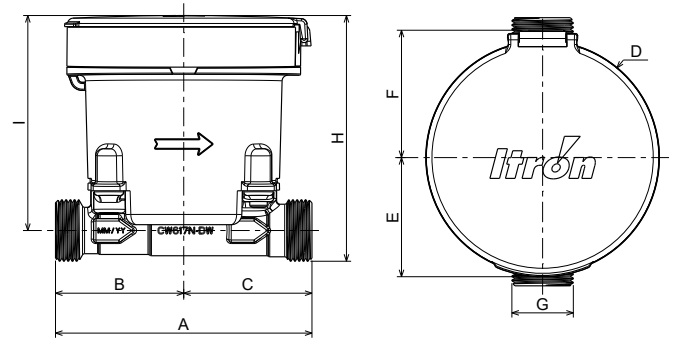


HEAD LOSS



Dimensions

Nominal Diameter	mm	20
A	mm	190
G	inches	G 1 B
B	mm	63
C	mm	91
D	mm	ø 100
E	mm	51
F	mm	54.5
H	mm	130
H (w/o Lid)	mm	126
I	mm	114
I (w/o Lid)	mm	110
Weight	gr	960



Join us in creating a more **resourceful world**.
To learn more visit itron.com

While Itron strives to make the content of its marketing materials as timely and accurate as possible, Itron makes no claims, promises, or guarantees about the accuracy, completeness, or adequacy of, and expressly disclaims liability for errors and omissions in, such materials. No warranty of any kind, implied, expressed, or statutory, including but not limited to the warranties of non-infringement of third party rights, title, merchantability, and fitness for a particular purpose, is given with respect to the content of these marketing materials. © Copyright 2023 Itron. All rights reserved. [WA-Intelis_wSource_NB-lot.01-EN-05.23](#)

**ITRON AUSTRALIA
PTY LTD**

Level 2, Suite 2.02
10 Barrack Street
Sydney NSW 2000 - Australia

Phone: +61 2 8235 5700
Fax: +61 2 8235 5799