

EM425-UK2 5T

5 Terminal - SMETS2 Smart Electricity Meter

Itron's SMETS 2 solution comprises residential smart meters for electricity and gas measurement, serving the U.K. government's mandated smart meter rollout program. Drawing from a profound heritage in the region and renowned expertise in gas and electricity industries, Itron's SMETS2 solution blends the latest metrology with digital capabilities, supporting the shift to a cleaner and more flexible energy system in Great Britain.



ONE SWITCH AWAY FROM FLEXIBLE TARIFFS.

Itron's SMETS2 5 Terminal electricity meter is designed to bring tariffs flexibility and load management capabilities to Utilities and their customers. Equipped with an integrated 100Amp Load Control Switch, Itron meters allows for remote or scheduled energy adjustments.



SIMPLIFIED INSTALLATION & ASSETS MANAGEMENT.

Itron's SMETS2 electricity meters share the same firmware images between 4 Terminal and 5 Terminal variants, simplifying on-site installation and inventory management. Also including auto-pairing and enhanced HAN performance features, Itron meters enable expedited setup on-premises whilst helping to achieve a greater success rate for installation and upgrade procedures.



DESIGNED TO LAST, BEYOND MARKET REQUIREMENTS.

Itron's SMETS2 4T and 5T electricity meters are extensively tested beyond market requirements. Designed with future safety and endurance standards in mind, they are fully compliant to the latest IEC safety standards and vetted through accelerated life procedures exceeding recommended test scenarios.

FEATURES

- » HAN auto-pairing
- » Easy-to-read dot matrix display
- » Compact size, as 4 terminal
- » 3 buttons for simple user interaction
- » Shares same firmware image with 4T
- » Fully compliant to new IEC safety standard for metering
- » High pass thresholds for accelerated life testing
- » Fully compliant to latest SMETS2 industry specifications
- » Auxiliary Load Switch, UC3, 100A @ 230VAC

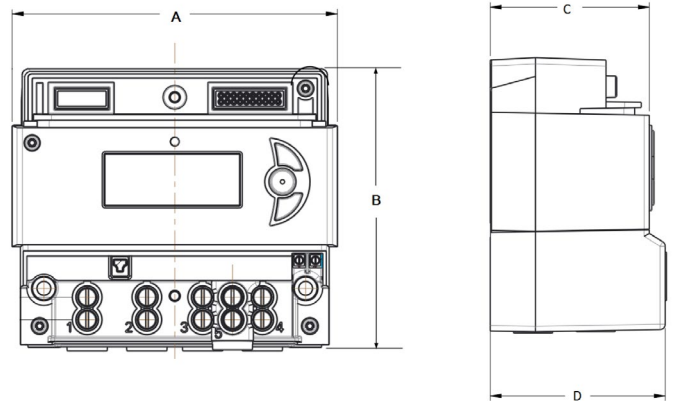
SPECIFICATIONS

Dimensions and specifications are detailed below



The above image shows the display screen with all icons illuminated and a customisable message in the dot matrix area.

Length	(A)	130 mm
Height	(B)	110 mm
Width	(C)	65 mm
Base Wdth	(D)	71 mm
Weight		580g



Technical Specifications

Accuracy	Active Class B - BS EN 50470-3, Reactive Class 2 - IEC 62053-23
Connection type	Direct connection, 1-phase 2-wire
Terminal connection	BS symmetrical arrangement
Operating Voltage	-20% to +15% Un (230V)
Frequency	50Hz
Current	100A I _{max} 5A I _{ref} 250mA I _{min} , Up to 145A for maximum 2 hours
Market compliance	SMETS2 v4.2, GBCSv3.2
Product Life	Designed to last for at least 15 years under normal operating conditions
Main Contactor	UC3, 100A @ 230VAC
Auxiliary Load Switch	UC3, 100A @ 230VAC
Pulsing Output	Red LED Indicator (imp/kWh or imp/kvarh)
Power Consumption	< 2A @ 230VAC
User Interface	LCD Dot matrix 27h x 132w pixels with icons, 3 Buttons, Audible sounder (5 tone)
Ingress protection	IP52 Indoor
Environment	Electromagnetic Environment 'E2', Mechanical Environment 'M1'
Protection Class	Class II
Surge Immunity	4kV
Temperature Range	Operating -25°C to +55°C, Storage and transport -25°C to +70°C
Storage	2 years at reference temperature of 23°C
Clock	Quartz-crystal based, Better than 1 second/day at 20°C
Communications	ICHIS compliant port, 2.4GHz (ISM band) Home Area Network (HAN)
Local Communication Port	Local CPA approved interface for calibration, configuration or triage
Security	Commercial Product Assurance (CPA) v1.2 for Electricity Smart Metering Equipment
Directives	2014/32/EU (MID), 2014/53/EU (RED), 2011/65/EU (ROHS), 2014/30/EU (EMC)

Join us in creating a more **resourceful world**.
To learn more visit **itron.com**

CORPORATE HQ

2111 North Molter Road
Liberty Lake, WA 99019 USA

Phone: 1.800.635.5461

Fax: 1.509.891.3355

While Itron strives to make the content of its marketing materials as timely and accurate as possible, Itron makes no claims, promises, or guarantees about the accuracy, completeness, or adequacy of, and expressly disclaims liability for errors and omissions in, such materials. No warranty of any kind, implied, expressed, or statutory, including but not limited to the warranties of non-infringement of third party rights, title, merchantability, and fitness for a particular purpose, is given with respect to the content of these marketing materials. ITRON is a registered trademark of Itron, Inc. © Copyright 2021 Itron. All rights reserved. **101819SP-01 1/21**