



iP503-330 "ANSI"

"USB" Optical Probe

FEATURES

- New **ANSI** Compatible Design
- New bi-color LED indicator for TX/RX communication signals
- New Smaller Housing made of **Polycarbonate** with Glass Fiber Reinforcement
- Compatible with **ANSI C12.18-1996** or **2006** Standards
- Designed for Desktop, Laptop computers and Tablets
- Compatible with virtually all ANSI utility meters, registers and recorders
- **USB 2.0** communication
- Powered by computer's USB port
- Rugged, High-Quality, Flame Retardant Black Polyurethane Coiled Cable (18" long Ext. to 6')
- Even lighter weight for reduced fatigue, wear and tear
- Powerful magnets in probe head for strong magnetic adhesion to meter's optical port



OVERVIEW

The NEW **iP503-330 ANSI** USB Optical Probes are designed for reading and programming **ANSI** electrical power meters. They feature a Bi-Color LED on the probe cover to indicate TX and RX communication signals that turn RED and GREEN, respectively, while communicating with the electric meter. In addition, they incorporate a new smaller housing design that make them even lighter weight but still rugged with their Polycarbonate Glass Fiber Reinforcement material.

These probes are configured for use with Desktop/Laptop computers and Tablets employing USB 2.0 compatible interface ports. Their optical circuitry supports **ANSI C12.18-1996 or 2006** communications protocols. They are compatible with virtually all ANSI utility meters, registers and recorders. They derive power from the USB ports so there is no need for external Battery Packs or AC Adapters.

These probes support all Windows Operating Systems with downloadable windows Drivers that create a Virtual COM Port to communicate with the meter manufacturer's windows based software. Windows drivers can be installed automatically upon connecting the probe to the PC.

The NEW **iP503-330 ANSI** USB Optical Probes solve problems relating to mechanical wear-out due to the demanding environment under which probes are constantly subjected to. We address this problem using the most rugged mechanical and electrical design in the industry. These probes are designed with an almost indestructible Polycarbonate head that contains powerful magnets that ensure a good retention when attached to the meter's optical port. They are also designed with a high-endurance polyurethane molded cable 18" long that withstands the outside rugged environment. This claim is backed with an aggressive warranty and service policy.

TECHNICAL SPECIFICATIONS

iP503-330 "ANSI"

Mechanical Specifications

Physical size	Length 2.14", Width 1.38", Height 1.24"
Cable Type	Coiled, Black Matte, Flame Retardant Polyurethane, Polypropylene Conductor Insulation, Rugged
Cable Length	18" Coiled, extends to 6 Feet
Connector	USB standard "Type A" male plug
Weight	Complete assembly weighs a maximum of 4.8 ounces (0.30 lbs)
Finish	Probe Head Light Gray Polycarbonate
Reliability	One-year (1) warranty for parts and labor

Electrical Specifications

Signal Spec.	Acts as a device to a host PC USB port
LED Indicator	TX (Red), RX (Green)
Compatibility	ANSI C12.18-1996 or 2006
Power Req.	+5V DC powered by USB port
Data Rate	0 - 19,200 baud, controlled by meter
Optical	890 nm bi-directional IR interface
Software	Drivers for multiple platforms; Windows 98/2000/XP/VISTA/Win7, Win 10, Mac OS-9, Mac OS-X, Linux 2-40 and greater

Environmental Specifications

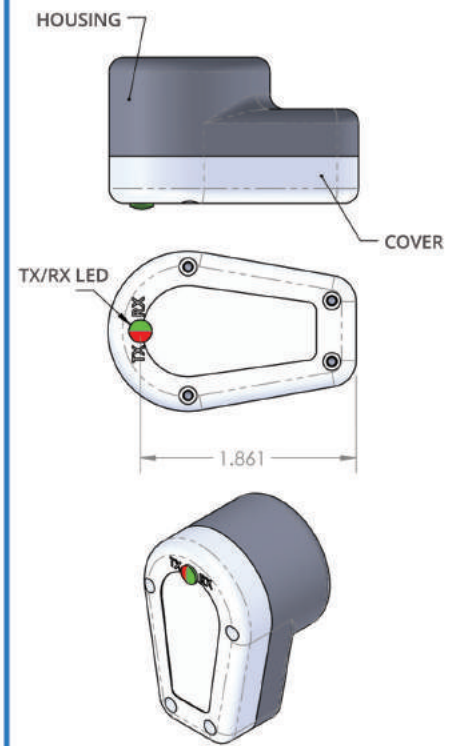
Temperature	Operating -30° to 60° C; Storage -40° to +85°
Ruggedness	Meets the requirements of a number of tests including those for Thermal Shock, Humidity, Water Resistance, RF Susceptibility, ESD, Drop, Random Vibration, Solar Radiation, Salt, Fog and Low Pressure.

PC Interface

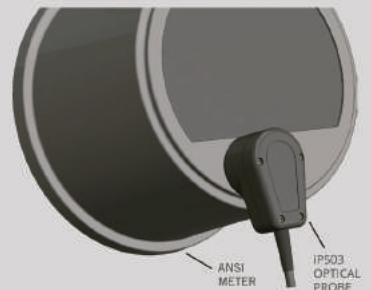
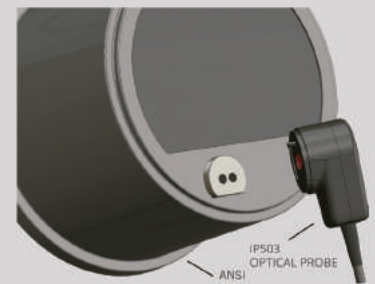
USB 1.1 or 2.0 Port

Some Compatible Meters

Elster (ABB)	2550, 2650, All Alpha, Alpha T, A3, Alt, A1R, A1R+, 2430, others
Aptech/Robinton	LPR1, LPR2, LPR3, SR500, TR403, TR804
General Electric	KV, KV2, KV2-C, I-210 and others
IUSA	Various
Siemens (Landis&Gyr)	CTR101, CTR102, DC, DCR, DD, DG100, DT, DX, DXR, SD100, SM101, SM301, TMC101, LINC, DCRMA, DDMA, S4 family, AX series, RX series, MAXSYS 2410, MAXSYS 2510, Quad 4, others
Metricom	C
Nexus	1262/1272
PSI	S100, S200, Quad 4
Pwr Measurement	ION 7000 series, 8000 series
Itron (Schlumberger)	Datastar, Fulcrum, MT100, MT200, Quantum, Q1000, Sentinel, Centron, Vectron, Openway
Synergistics	B40
Transdata	EMA, Mark V
Others	Not listed - to be added later



METER ATTACHMENT ILLUSTRATION



***NOTE: Please follow the procedure "IP501/IP503 USB Probe Drivers Installation Instructions" to install the optical probe windows driver software in PC prior to using the optical probes.



intelliprobe

WWW.INTELLIPROBE.NET