

DRAWING NO.	REFERENCE
A- MAN-0006-002	CFG-5002-008

REV	CCO NO.	DESCRIPTION	DATE	APP'VD
D	W2101818	UPDATED REFERENCES.	1/22/10 1/25/10	DARREN WIEGAND TOM JANCOSKI

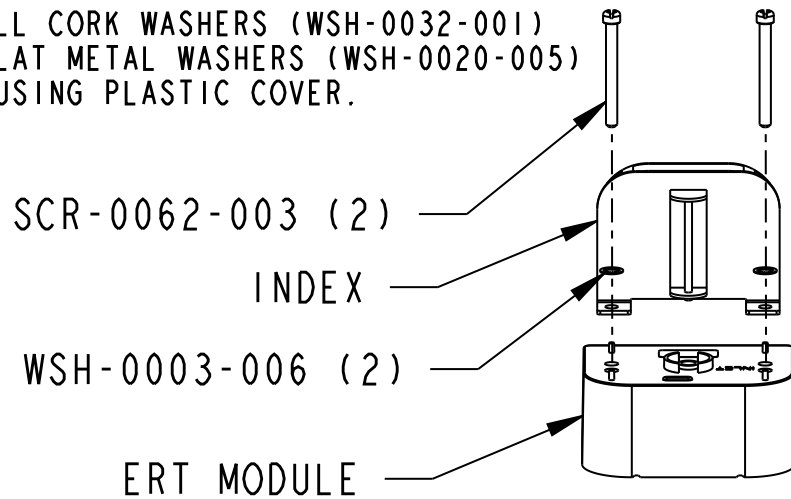
NOTES:

1. ASSEMBLE INDEX TO ERT USING (2) SCR-0062-003.

2. ASSEMBLE COVER TO ERT/INDEX ASSEMBLY USING (2) SCR-0062-002.

3. INSTALL LOCK WASHERS (WSH-0003-006) WHEN USING METAL COVER.

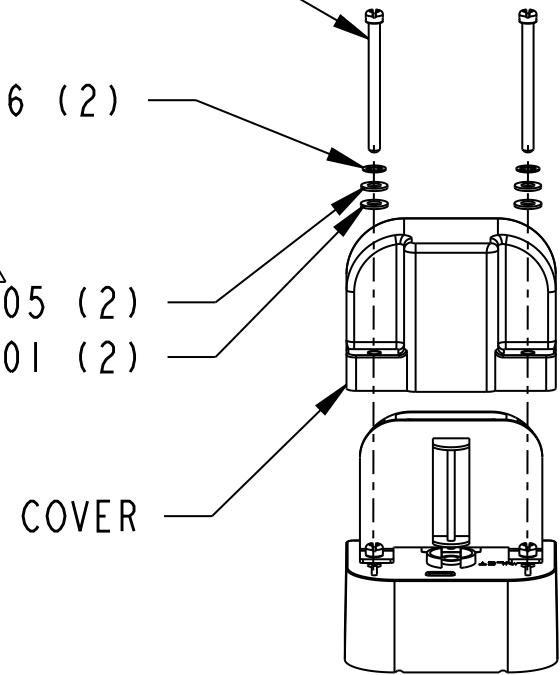
4. INSTALL CORK WASHERS (WSH-0032-001) AND FLAT METAL WASHERS (WSH-0020-005) WHEN USING PLASTIC COVER.




SCR-0062-002 (2)
(TAMPER SCREWS)

3
WSH-0003-006 (2)

4
WSH-0020-005 (2)
WSH-0032-001 (2)



ITRON CONFIDENTIAL <small>Information contained herein is proprietary to Itron, Inc. where furnished with a proposal, the recipient shall use it solely to evaluate the proposal. Where furnished to a customer it shall be used solely for the purposes of inspection, installation, or maintenance. Where furnished to a supplier, it shall be used solely in the performance of work contracted for this company. The information shall not be used or disclosed by the recipient for any other purpose whatsoever.</small>	TOLERANCE UNLESS OTHERWISE SPECIFIED		DRAWN BY DARREN WIEGAND	DATE 4/11/02	 DRAWING TITLE SENSUS/ROCKWELL COMMERCIAL ASSEMBLY INSTRUCTIONS	
	INCHES .XX <i>JK</i>	MM	ENGINEER ROBERT PAYNE	DATE 4/11/02		
	.XXX <i>JK</i>		CHECKED BY JAMES BAUGARTNER	DATE 4/11/02		
	MAT'L <i>JK</i>		APPROVED BY TOM JANCOSKI	DATE 4/11/02		
	FINISH <i>JK</i>		RELEASE DATE CONNIE MULCAHY 4/12/02			
PRO-ENG.		DRAWING NO. A- MAN-0006-002		SCALE 2/10	U/M	SHEET OF