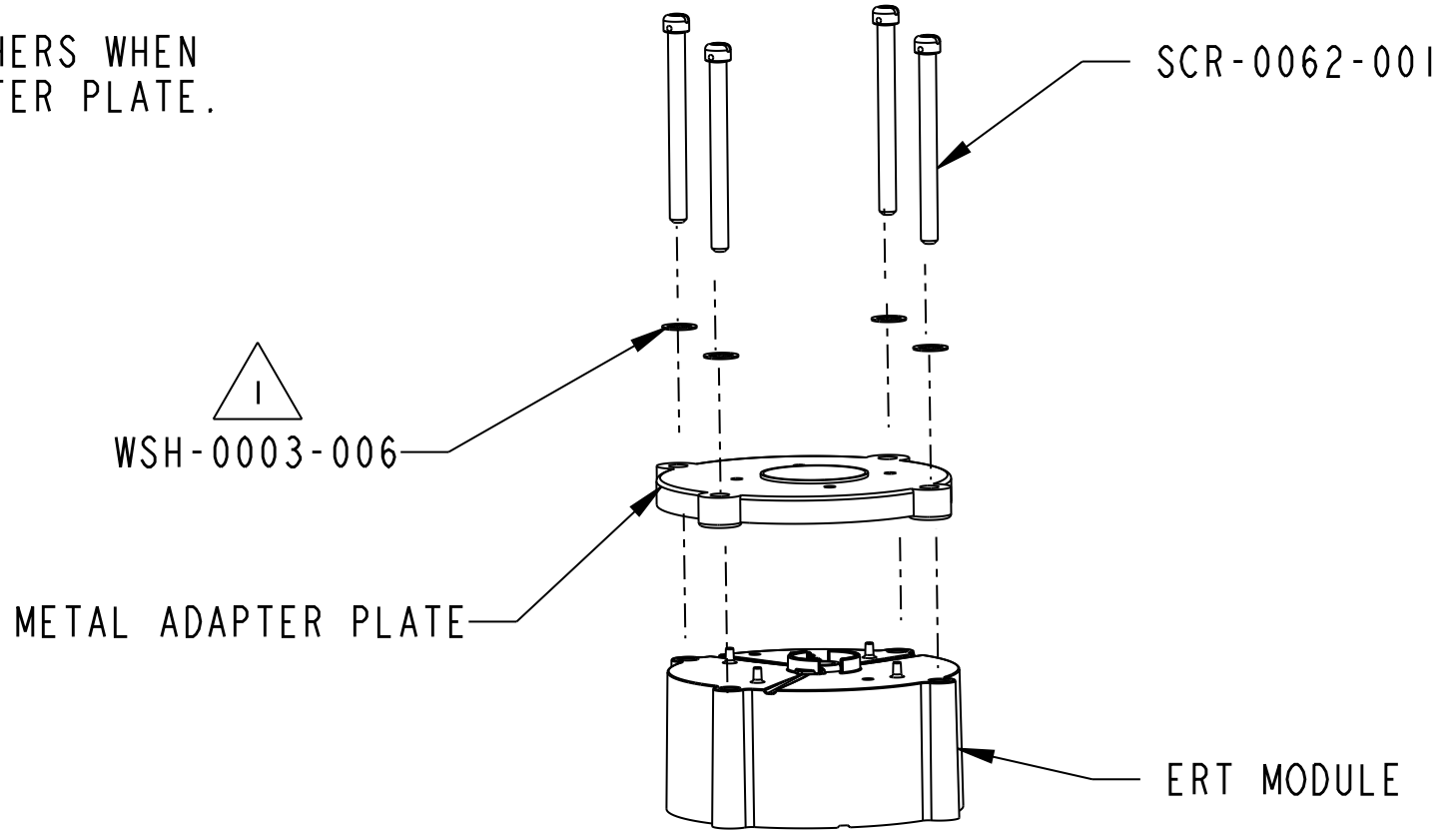



DRAWING NO.	REFERENCE
A- MAN-0006-001	CFG-5002-007

REV	CCO NO.	DESCRIPTION	DATE	APP'VD
D	W2101818	UPDATED REFERENCE #'S.	1/22/10 1/25/10	DARREN WIEGAND TOM JANCOSKI

NOTES:

1. INSTALL LOCK WASHERS WHEN USING METAL ADAPTER PLATE.



<b>ITRON CONFIDENTIAL</b> <small>Information contained herein is proprietary to Itron, Inc. where furnished with a proposal, the recipient shall use it solely to evaluate the proposal. Where furnished to a customer it shall be used solely for the purposes of inspection, installation, or maintenance. Where furnished to a supplier, it shall be used solely in the performance of work contracted for this company. The information shall not be used or disclosed by the recipient for any other purpose whatsoever.</small>	TOLERANCE UNLESS OTHERWISE SPECIFIED		DRAWN BY DARREN WIEGAND	DATE 11/15/99	 DRAWING TITLE <b>METAL ADAPTER PLATE ASSEMBLY INSTRUCTIONS</b>
	INCHES .XX <i>HL</i>	MM <i>HL</i>	ENGINEER ROBERT PAYNE	DATE 11/23/99	
	.XXX <i>HL</i>		CHECKED BY MIKE PROBST	DATE 11/23/99	<b>PRO-ENG.</b> DRAWING NO. <b>A- MAN-0006-001</b>
	MAT'L <i>HL</i>		APPROVED BY DAVE SEIFERT	DATE 12/3/99	
	FINISH <i>HL</i>		RELEASE DATE 12-3-99	SCALE 3/10 U/M	SHEET 1 OF 1